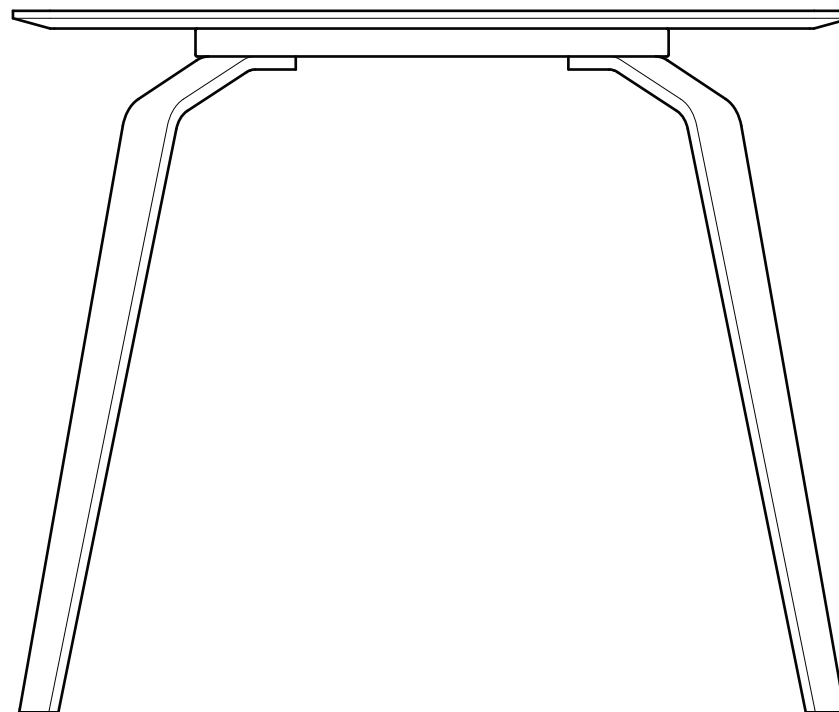
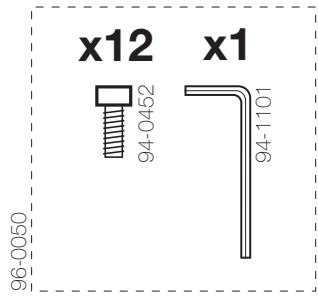
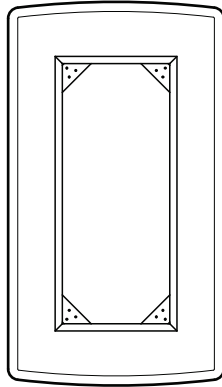

FLOAT TABLE

DESIGN BY
HENRIK PEDERSEN



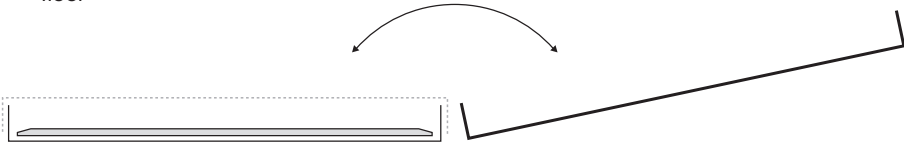


x4

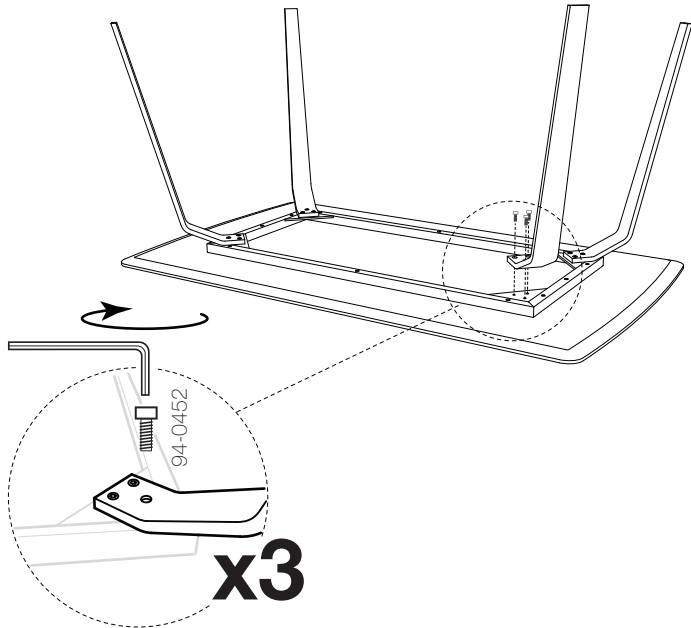


1

! Use the lid as cover when assembling the frame, to protect the tabletop and floor



2



3

