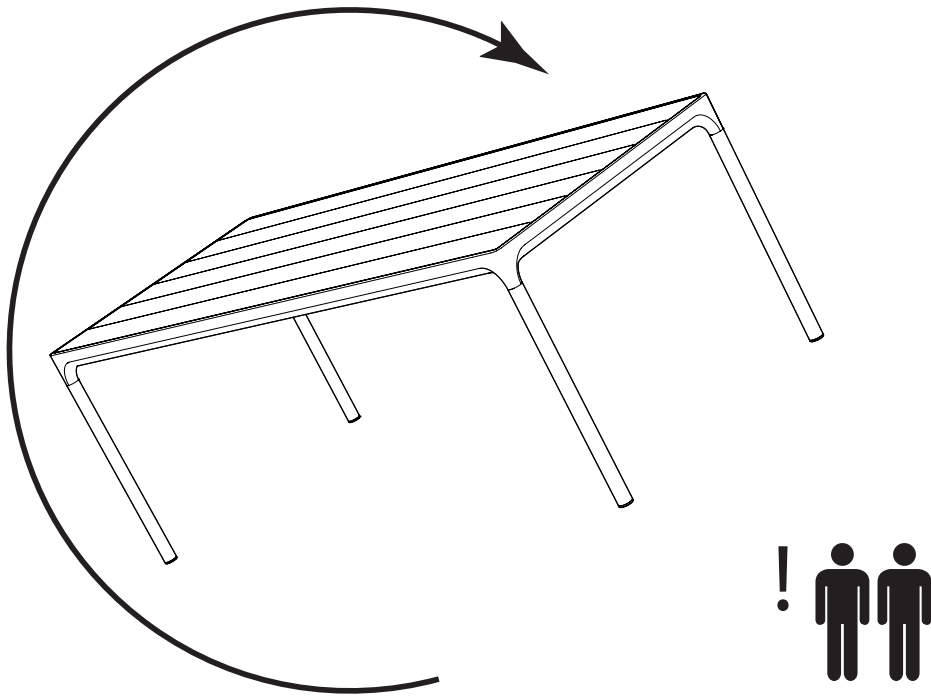
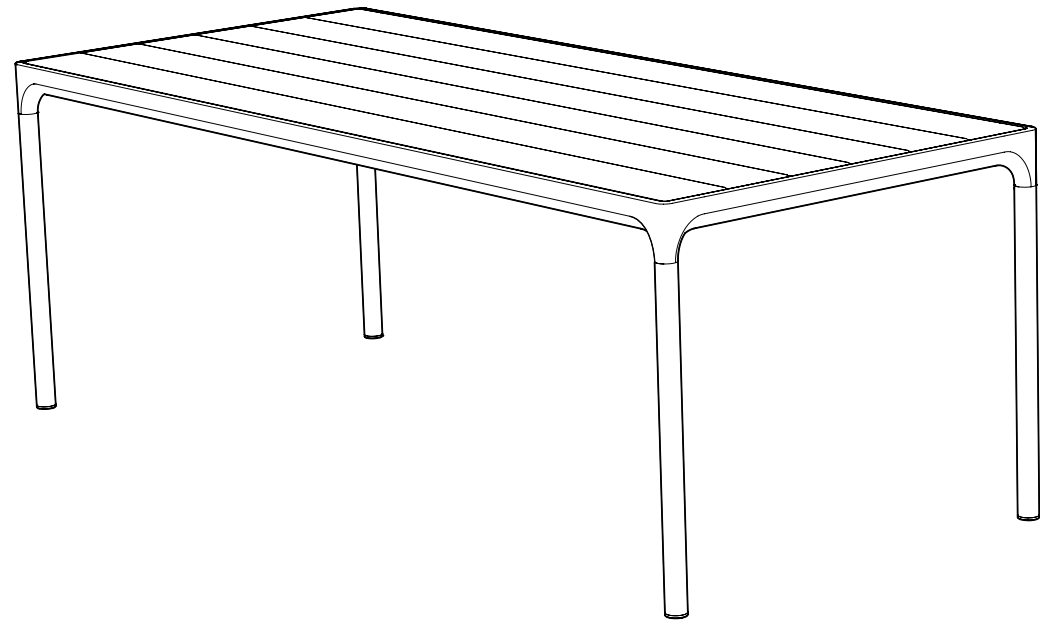


3



FOUR

Design by
Henrik Pedersen for
HOUE



Bamboo treatment

The bamboo lamellas on your table are treated with a special impregnation from the factory. To keep the table nice it is necessary to treat the bamboo lamellas on a regular basis with oil suitable for bamboo. We recommend you to oil the table before taking it into use, and again after approx. 4 weeks, then as needed (3 – 4 times a year)

Fungi can attack all wooden furniture that is placed outside. Once fungi have attacked the bamboo it is possible to clean it by sanding the bamboo down with sandpaper and oil it again.

It is very important that you do not oil the bamboo if there is the slightest sign of infestation of fungi. Oiling at this stage will worsen the problem.

We recommend oil suitable for outdoor bamboo furniture containing fungicide. Fungicide is an anti-fungal agent.

For daily cleaning it is recommended to only use hot water, as soapy water dissolves the oil. Outside the season, store in a dry and ventilated room. Do not cover the bamboo top, as bamboo is a natural material that needs air to avoid that fungi and mold will spread into the material.

Powdercoated metal parts

For cleaning please use a wet cloth or a soft brush. Do not use any kind of chemicals for cleaning.

