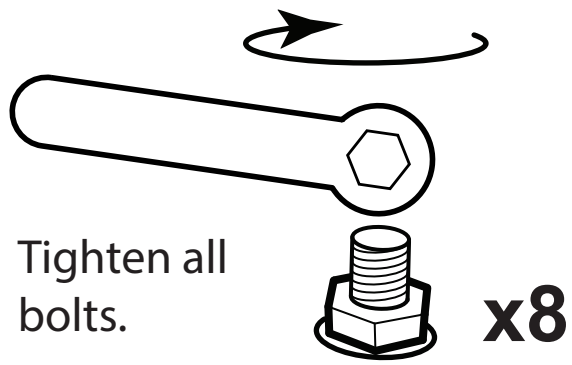
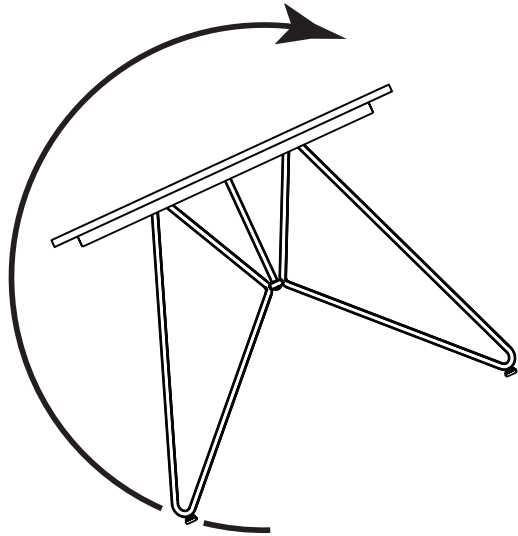


3



Tighten all bolts.

x8



! It takes two persons to flip the table around, to avoid any damages

2 persons

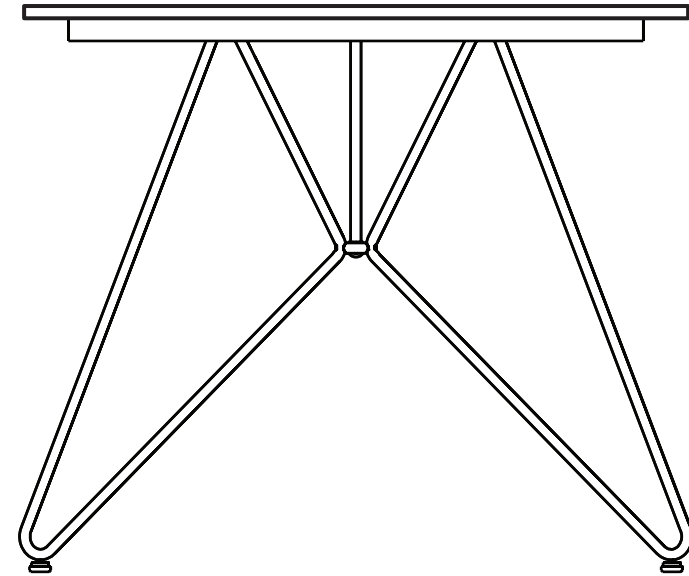


Sketch

Indoor

Design by
Henrik Pedersen for

HOUE



Assembly instruction

Screws and tools are included

Please keep the tabletop in the box, until the legs have been mounted

It takes two persons to flip the table around, in order to avoid damages

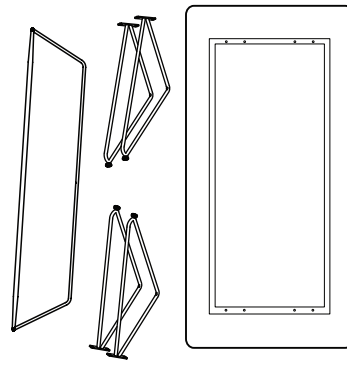
Samlevejledning 97-2004-V2

96-0115

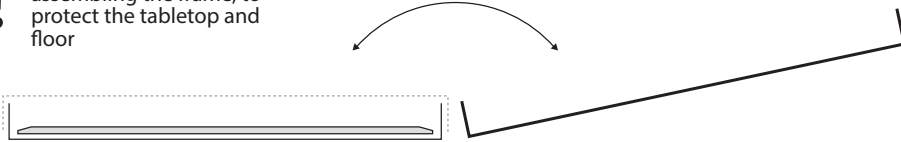
x1 94-1100
x1 94-1103
x4 94-0328
x14 94-2001
x8 94-1502
x6 94-0051

x2 93-2004
x1 93-2005
x4 94-2102
x4 94-2103

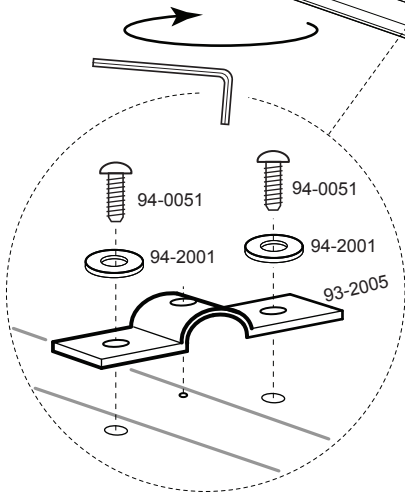
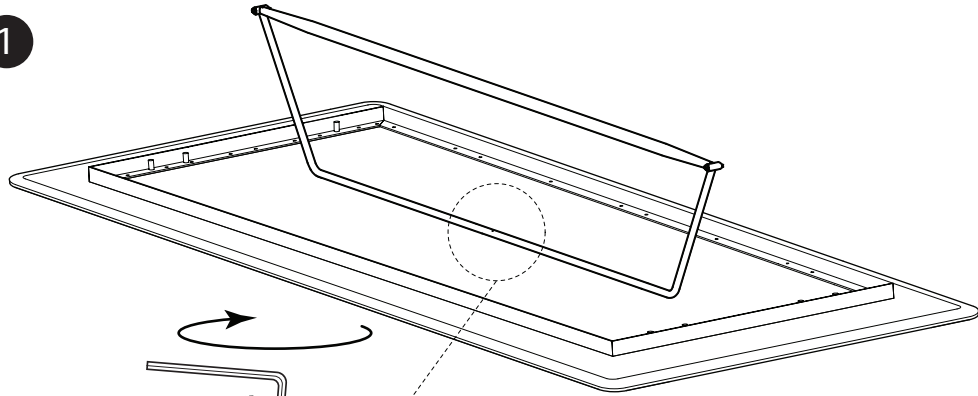
96-0117



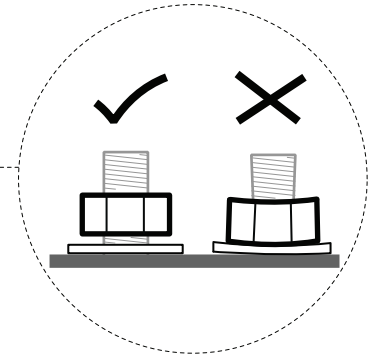
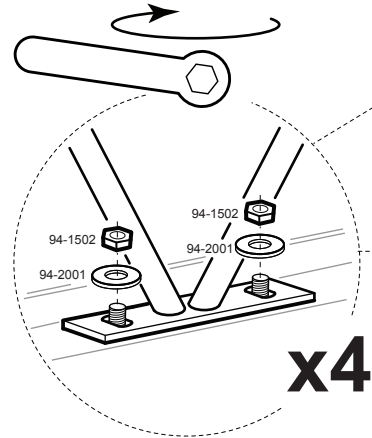
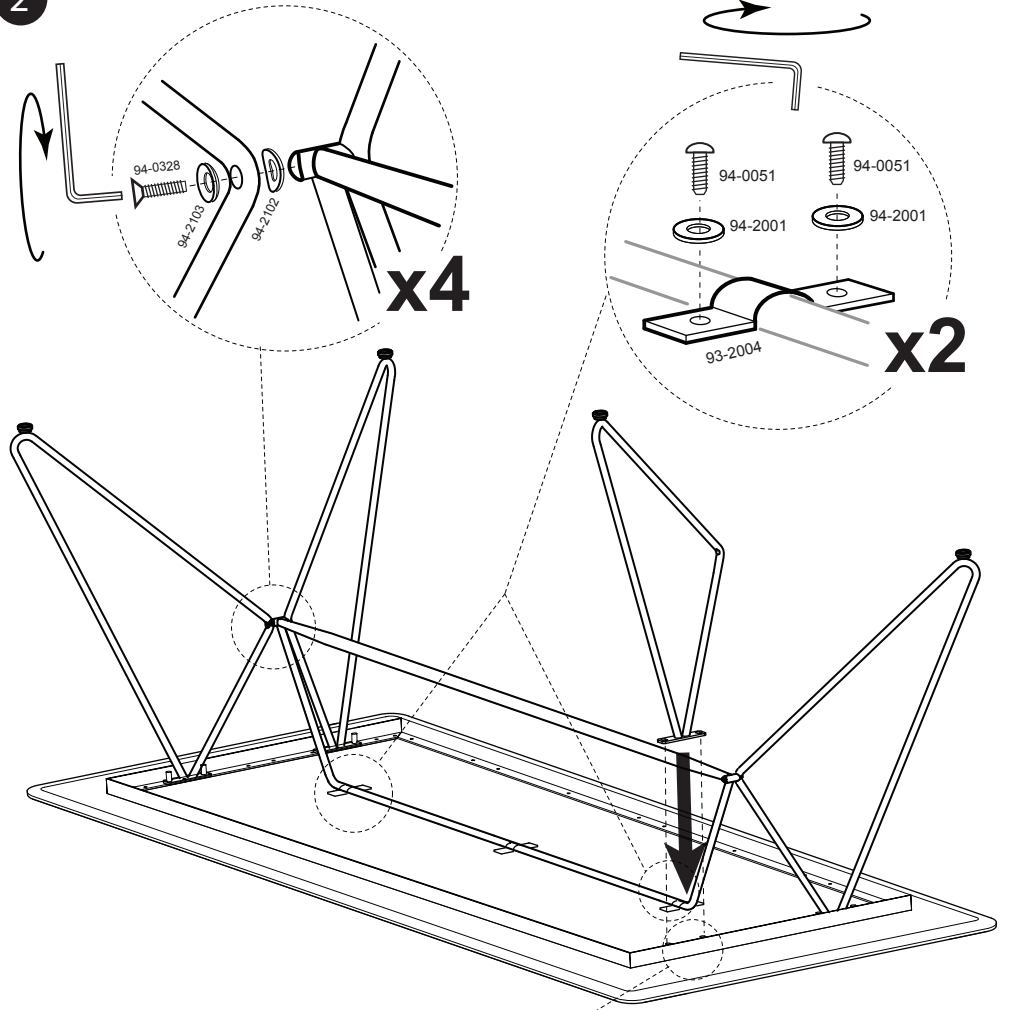
! Use the lid as cover when assembling the frame, to protect the tabletop and floor



1



2



x2

x4

x4